

FILstatic 340 universal sensor holder



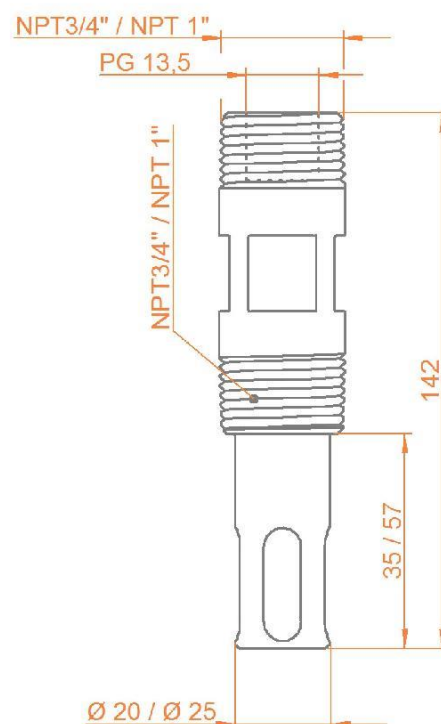
- Replacement for US-sensors with NPT-thread
- Stainless steel AISI 316L / 1.4404 / PVDF / PP
- Sealing compounds EPDM / FPM (Viton) / FFKM (Kalrez)
- Process connection NPT 3/4" or 1"
- Optional sensor protection cage
- Up to 10 bar and 140 °C

Static sensor holder made from stainless steel or plastic for permanent installation of Ø12mm/120mm-sensors in tanks or pipes mainly in established 3/4" NPT or 1" NPT sockets.

Specifications

max. pressure	10 bar
max. temperature	140°C
material	1.4404 / 316L, PP or PVDF
sealing material	EPDM, FPM (Viton) or FFKM (Kalrez)
certificates	material, sealing compound
option	with protection cage or without protection cage
process connection	NPT 3/4" or NPT 1"
sensors	120mm / PG13,5

Dimensions



FILstatic 340 universal sensor holder



Protective cage



Usable for industrial applications



Sensor adaptation of Ø12mm PG13.5 for installations with NPT threads

Order code

Code	Material (wetted parts)	Delivery
04	Stainless steel 1.4404 / 316L Ra0,78	2 weeks
PP	PP	2 weeks
PV	PVDF	4 weeks

Code	Process connection	Delivery
N10	MNPT 1"	2 weeks
N34	MNPT 3/4"	2 weeks

Code	Sealing material (wetted sealings)	Delivery
EPD	EPDM/FDA/USP VI	2 weeks
FPM	FPM (Viton)	2 weeks
FKM	FFKM (Kalrez)	2 weeks

Code	Protection cage	Delivery
0	without	2 weeks
1	with protection cage	2 weeks