

FILstatic 312 hygienic process connections



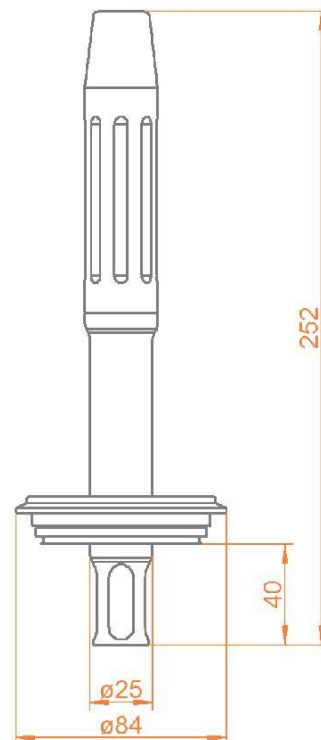
- designed according to hygienic criteria
- surface finish Ra<0,78 or Ra<0,37
- stainless steel AISI 316L / 1.4404
- EPDM sealings with FDA and USP VI approval
- process connections according to EHEDG / 3A
- optional sensor protection cage
- up to 10 bar and 140 °C

Static sensor holder with hygienic process connections for permanent installation of Ø12mm / 120mm-sensors in tanks or pipes

Specifications

max. pressure	10 bar
max. temperature	140°C
material	1.4404 / 316L
surface	Ra<0,78 or Ra<0,37
sealing material	EPDM / FDA / USP VI or FPM (Viton)
material cable guard	PA6.6 GF30
certificates	material, surface, sealing material
option	with protection cage or without protection cage
sensors	120mm / PG13,5
process connections	Varivent N, Neumo BioControl D50

Dimensions



FILstatic 312 hygienic process connections



Process connection VARIVENT N with protective cage



EXstatic - installation situation from inside



Process connection NEUMO BioControl D50 without protective cage

Order code

Code	Material (wetted parts)	Delivery
0408	Stainless Steel 1.4404 / 316L Ra0,78	2 weeks
0404	Stainless Steel 1.4404 / 316L Ra0,37	4 weeks

Code	Sealing material (wetted sealings)	Delivery
EPD	EPDM/FDA/USP VI	2 weeks
FPM	FPM (Viton)	2 weeks

Code	Sensor type	Delivery
120	120mm PG 13,5 Ø12mm	2 weeks

Code	Process connection	Delivery
VARN	Varivent N DN40-125	2 weeks
BCT5	NEUMO BioControl D50	2 weeks

Code	Immersion length	Delivery
040	40mm under process connection	2 weeks

Code	Protection cage	Delivery
0	without	2 weeks
1	with protection cage	2 weeks