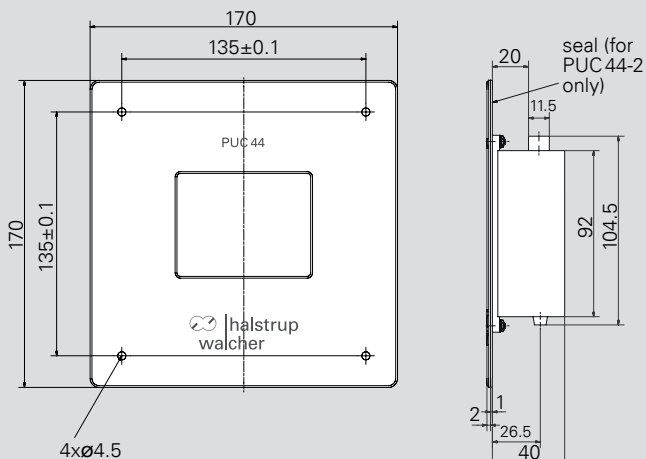


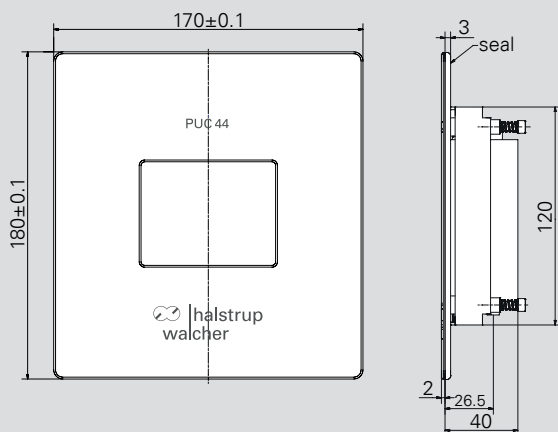


PUC 44 - 3

PUC 44 - 1/-2



PUC 44 - 3



Inputs (adjustable)	up to 4 analogue inputs (4..20 mA, galvanically separated, Ra=400..1750Ω), without transmitter feed
Scaling (adjustable)	deactivated, linear or polygonal (max. 20 points)
Filter	deactivated or with dampening/ filter coefficient
Touch-display	TFT, coloured, 3.5", 320x240 px
Available views (adjustable)	values, bar graph, curve chart, vector diagram
View change	manually or automatically
Time axis curve chart	19s/48s/95s/3 min/6 min/12 min/30 min/1 h/2 h/4 h/8 h/16 h/24 h/3 d/7 d
Alarm configuration (adjustable)	LoLo..Lo..Hi..HiHi for all channels thresholds: constant, lower threshold, upper threshold, hysteresis timing: delay ON/OFF, retention time ON/OFF acoustic collective alarm freely parameterisable
Alarm display (adjustable)	deactivated, permanent, flashing (period, retention time, alarm source, texts/colours adjustable)
Languages (menu)	English, French, German, Italian, Spanish
Date and time	time zone and summer time can be set
Brightness	20..40..60..80..100 %
Screen saver	deactivated or after 1..5..10..30 min
Access protection	password 6-digit (GAMP 5)
Current consumption	500 mA
Baud rate	1200 bit/s to 115200 bit/s
Connections	1x USB-host on the rear for transfer of configuration files, screw terminals for 4 analogue inputs, bus and supply
Power supply	24 VDC ± 5 %
Housing	wall recessing
Ambient temperature	0..50 °C
Storage temperature	-10..70 °C
Humidity	5..90 % without condensation
Protection class PUC 44 - 1	IP20
Protection class PUC 44 - 2/-3	IP65 (front side), IP20 (housing and terminals)

Housing type	A	Bus type / data interface	B
Aluminium anodised	1	Modbus RTU	MB
Stainless steel standard	2	BACnet MS/TP	BN
Stainless steel with magnetic holder	3		

Parameterisation	C
Provided by customer	0
Factory-provided <sup>1)</sup>	1




<sup>1)</sup> according to specified parameter list

Order code	A	B	C
PUC 44	-	-	-

## PANLES FOR DISPLAYING, ALERTING, NETWORKING

Many companies (e.g. in the life sciences sector) are required to use monitoring systems in their critical production processes. These systems have to operate with a high degree of data security and record, transfer and save quality-relevant measurement data. Professional suppliers of monitoring systems and validation services offer solutions which are aligned with GAMP 5 for this task. GAMP stands for *Good Automated Manufacturing Practice*. It is a quasi-standard that sets out the requirements for computer-aided systems in a regulated pharmaceuticals environment.

One important task of monitoring processes is to make measurement data available in the locations where local decisions depend on them. halstrup-walcher display panels are the optimum solution for this task:

Product	PUC 44	PUC 24	PUC 28 (K)
Details on	p. 24 + p. 25	p. 14	p. 15
			
Special features	Multi-channel process display with touch screen - Values, curves, bar graph, vector can be displayed - 4 alarms per channel - Modbus/BACnet connection	Cleanroom panel with integrated differential pressure sensor for climate data display, temperature/humidity measuring transmitter can be connected	Process panel with integrated differential pressure sensor for climate data display, temperature/humidity measuring transmitter can be connected
Application	Process monitoring for cleanrooms and control cabinets (machines, plants)	Process monitoring for cleanrooms (Pa, °C, % rF)	Process monitoring panel (optional: with calibration connection) (Pa, °C, % rF)
Measurement Range	Up to 4 external analogue values of any phys./chem. values	± 100 or ± 250 Pa, freely scalable within this range, % rF/°C: Depending on the connected measuring transmitter	
Degree of measurement uncertainty	Depending on the connected measuring transmitters	Differential pressure on board: 0.5 % of max. value (standard) (0.3 Pa margin of error for the reference)	
Display	Touch-display (TFT), coloured, 3,5", 320x240 pixels	LED-display, 3 lines	
Alerting	Visually/acoustically, cf. p. 24	Relay outputs, acoustic alarm	
Networking	Modbus RTU, BACnet MS/TP	RS 232, PROFIBUS DP (both optional)	

## ACCESSORIES

### Accessories for PUC24 and PUC28(K) on p. 11.

#### Parameterisation PUC44 <sup>1)</sup>

On-site parameterisation (PUC44) according to customer specifications

#### Order-No.

in the order key cf. p. 25

#### Installation PUC44 <sup>2)</sup>

Flush-mounted box for masonry wall installations <sup>3)</sup>

9601.0188

<sup>1)</sup> The parameterisation of the PUC44 takes place via the intuitive touch menu. It can be performed by the commissioner without further training.

<sup>2)</sup> All PUC series devices have been specifically designed for installation in cleanroom walls and thus have a minimal installation depth. The versions PUC44-2/-3 and PUC24 also feature a hygienic design. A recessed socket is not required for cleanroom installations. It is used for mounting the types PUC44-1 and -2 in brick walls.

<sup>3)</sup> Recessed area for plastering the flush-mounted box into the wall: 160 mm x 160 mm, 75 mm (width x height, depth)

